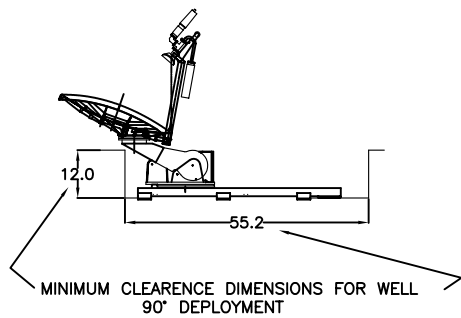
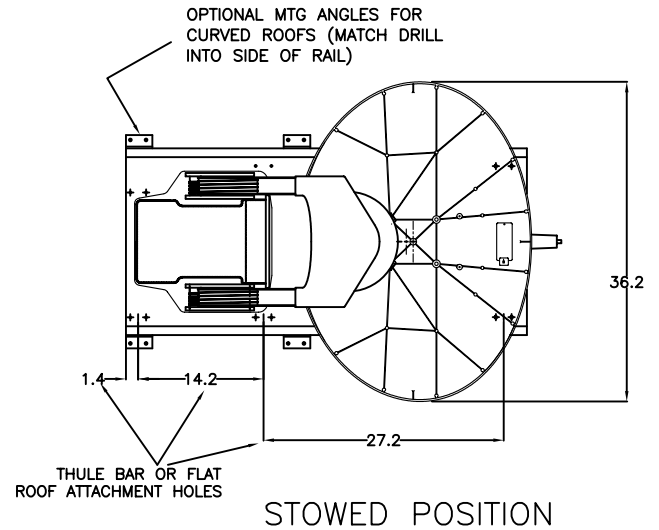
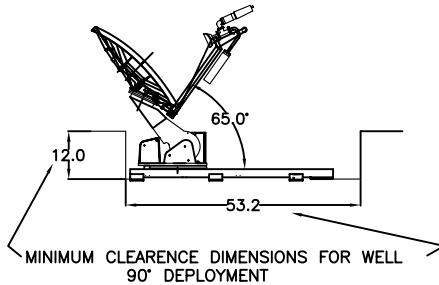


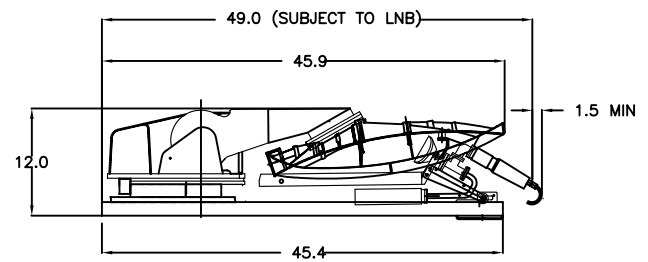
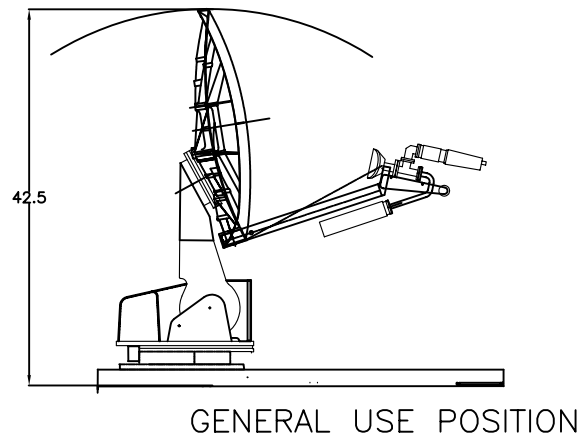
90° DEPLOYMENT



65° DEPLOYMENT



STOWED POSITION



TracStar Systems, Inc.			
Orlando, FL			
DESIGNED BY	CHECKED BY	DATE	SCALE
DRAWN BY	APPROVED BY		
750 IMO AVSAT			
REV	DATE	BY	APP
D			