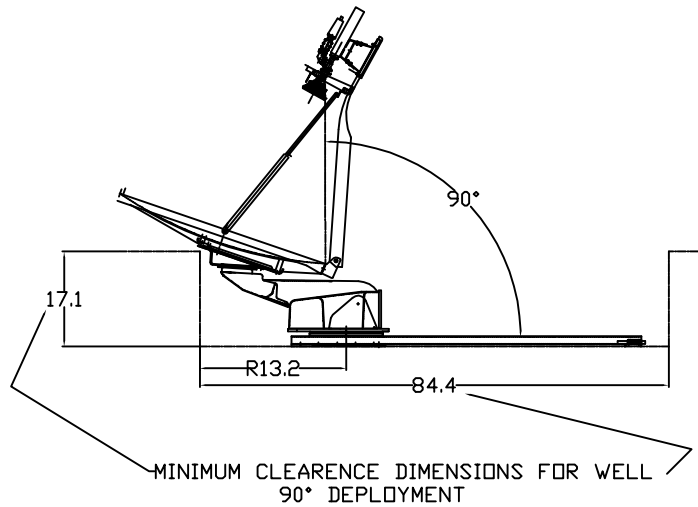
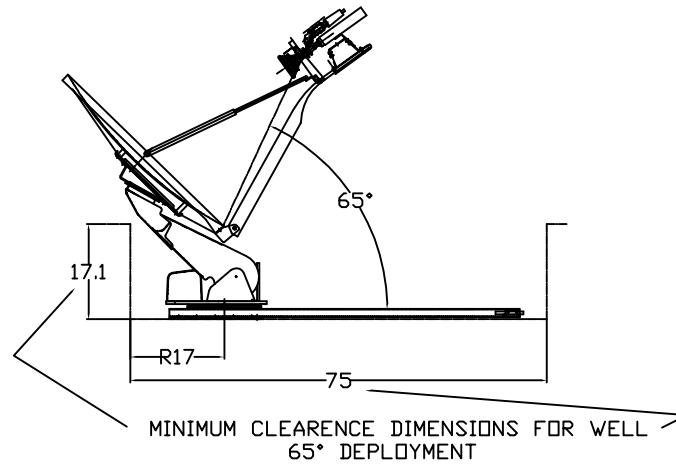


90° DEPLOYMENT



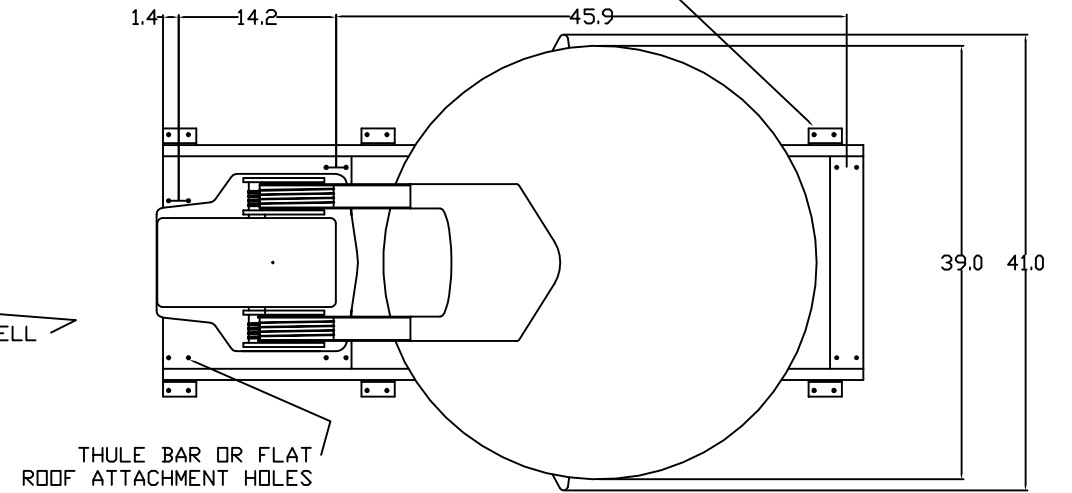
MINIMUM CLEARANCE DIMENSIONS FOR WELL 90° DEPLOYMENT

65° DEPLOYMENT

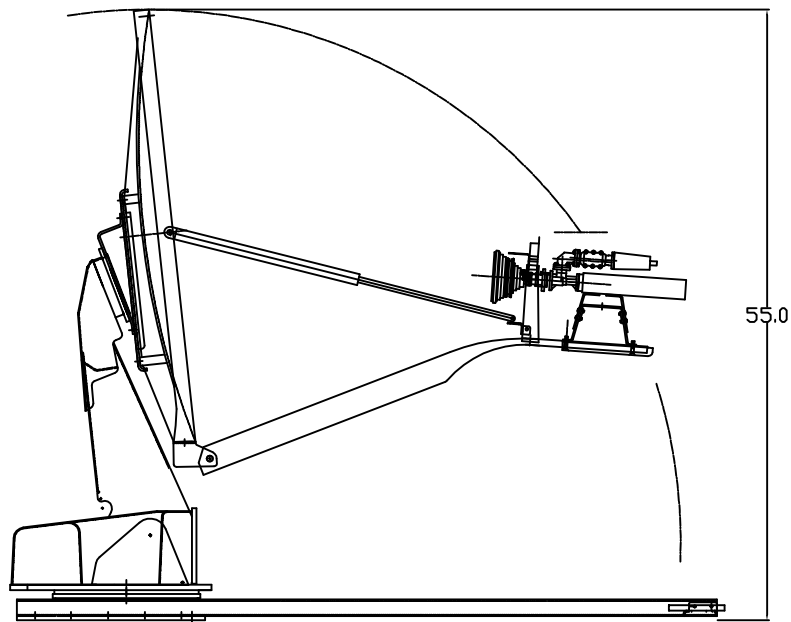
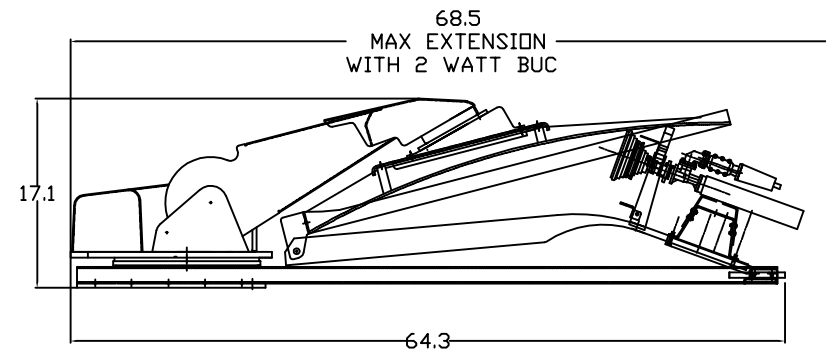


MINIMUM CLEARANCE DIMENSIONS FOR WELL 65° DEPLOYMENT

OPTIONAL MTG ANGLES FOR CURVED ROOFS (MATCH DRILL INTO SIDE OF RAIL)



STOWED POSITION



GENERAL USE POSITION

DO NOT SCALE
FOR DETAILED DIMENSIONS
REQUEST CERTIFIED DRAWINGS
FROM AvL

TracStar Systems, Inc.
Orlando, FL

STD. TOLERANCE (INCHES)	3RD ANGLE PROJECTION	DRAWN	DRAWN	DRWDATE	
XX = ±0.02	3RD ANGLE PROJECTION	CHECKED	CHECK	CKDATE	
XXX = ±0.005					
XXXX = ±0.0005					
ANGLES = ±0.5°					
ASSEMBLY					
MATERIAL			HARDNESS		
			FINISH		
TITLE TSS_960_AVSAT					
SCALE	SIZE	ASSY QTY	FAB QTY	DRAWING NO.	REV
	B				